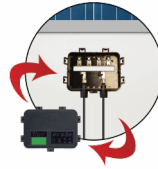


Phono[®] Solar

Smart Module

Mono/305-320W

Tigo[®]
Rapid Shutdown



Safety Guarantee

Meets NEC 2017 690.12 rapid shutdown requirements with Tigo's TS4-F (Fire Safety), TS4-S(Safety), TS4-O(Optimization), and TS4-L (Long Strings). Module-level deactivation with automatic or manual shutdown.



Lower System Cost

Higher conversion efficiency helps to save transportation-, installation- and BoS cost



More Power

Higher conversion efficiency, more power production per unit area

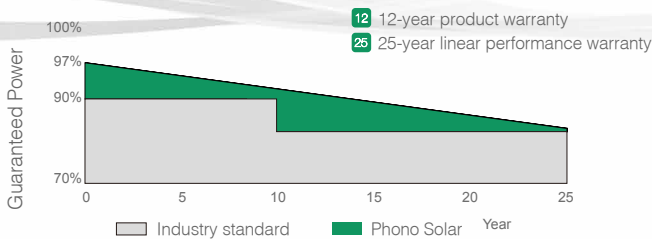


Better Low-light Performance

Enhanced spectral response at longer wave length boosts low-light performance, which can produce more than 3% additional power compared with conventional module at system side

Bloomberg
NEW ENERGY FINANCE

Tier1



EN EN-20190614

ELECTRICAL TYPICAL VALUES

| Model | PS305M-20/U PS305MH-20/U | PS310M-20/U PS310MH-20/U | PS315M-20/U PS315MH-20/U | PS320M-20/U PS320MH-20/U |
|---|---|-----------------------------|-----------------------------|-----------------------------|
| Type | Monocrystalline 6 inch x 6 inch square, 6 × 10 pieces in series | | | |
| Rated Power (Pmpp) | 305W | 310W | 315W | 320W |
| Tolerance | 0~+5w | | | |
| Rated Current (Impp) | 9.43 | 9.54 | 9.64 | 9.75 |
| Rated Voltage (Vmpp) | 32.35 | 32.50 | 32.68 | 32.83 |
| Max Current (Imax) (TS4-O, -L) | 10 | 10 | 10 | 10 |
| Open Circuit Voltage (Voc) (TS4-O) | 40.00 | 40.10 | 40.20 | 40.30 |
| Max Voltage (Vmax) (TS4-L) | 37.44 | 37.60 | 37.81 | 37.98 |
| Module Efficiency (%) | 18.75 | 19.05 | 19.36 | 19.67 |
| NOCT (Nominal Operation Cell Temperature) | 45±2°C | | | |
| Voltage Temperature Coefficient (TS4-O) | -0.288%/°C | | | |
| Voltage Temperature Coefficient (TS4-L) | 0.0%/°C | | | |
| Current Temperature Coefficient | +0.047%/°C | | | |
| Power Temperature Coefficient | -0.398%/°C | | | |

MECHANICAL CHARACTERISTICS

| | |
|--|--|
| Dimension (L× W × H) | Length: 1640mm (64.57 inch) Width: 992mm (39.06 inch) Height: 35mm (1.38 inch) |
| Weight | 18kg (39.68 lbs) |
| Front Glass | 3.2mm toughened glass |
| Frame | Anodized aluminium alloy |
| Cable | 4mm ² (IEC) , Length:900mm or Customized length |
| Junction Box (TS4-D, -M, -F, -S, -O, -L) | IP 68 rated |

ABSOLUTE MAXIMUM RATING

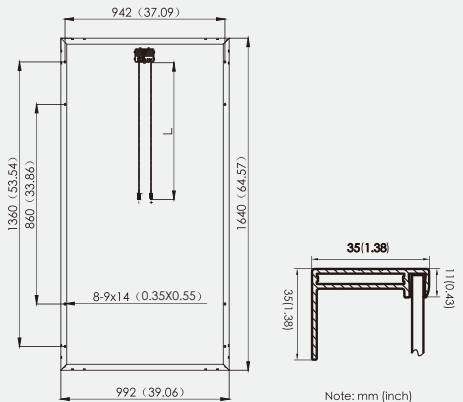
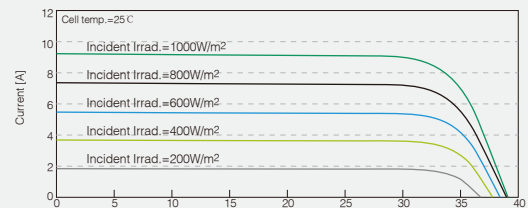
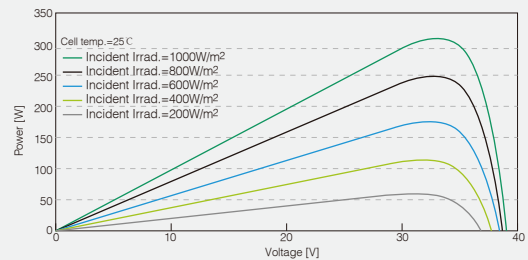
| Parameter | Values |
|------------------------------------|--------------------------|
| Operating Temperature | From -40 to +85°C |
| Hail Diameter @ 80km/h | Up to 25mm |
| Surface Maximum Load Capacity | Up to 5400Pa |
| Maximum Series Fuse Rating | 20A |
| Application Class and Safety Class | II |
| Fire Rating (IEC61730) | C |
| Module Fire Performance (UL 1703) | Type1 |
| Maximum System Voltage | DC 1000V/1500V (IEC/ETL) |

PACKING CONFIGURATION

| | | |
|------------------|--------|--------|
| Container | 20' GP | 40' HQ |
| Pieces/Container | 312 | 896 |

1. In compliance with our warranty terms and conditions.
2. Measurement conditions under irradiance level of Standard Test Conditions(STC): 1000W/m²
Air mass 1.5 Spectrum, cell temperature of 25°C.

ELECTRICAL CHARACTERISTICS



Phono Solar

Note: This datasheet is not legally binding. Phono Solar Technology Co., Ltd. reserves the right to adjust specifications without notice. Further information please refer to our [Website:www.phonosolar.com](http://www.phonosolar.com), [E-mail:info@phonosolar.com](mailto:info@phonosolar.com)